



DPS01EX

DIFFERENTIAL PRESSURE SWITCH – FLAME PROOF



The DPS01EX, known as the Flameproof differential pressure switch, is specifically engineered to ensure reliable operation in hazardous environments. Its design makes it suitable for use in Zone 1 and 2 areas. This switch is crafted to meet the requirements of Gas Group IIA, IIB, and IIC, T6.

With its adjustable features, the DPS01EX is capable of detecting even the smallest changes in pressure. Field adjustments to the switch set point can be easily made using the adjustment knob and the built-in calibrated visual scale, eliminating the need for a manometer.

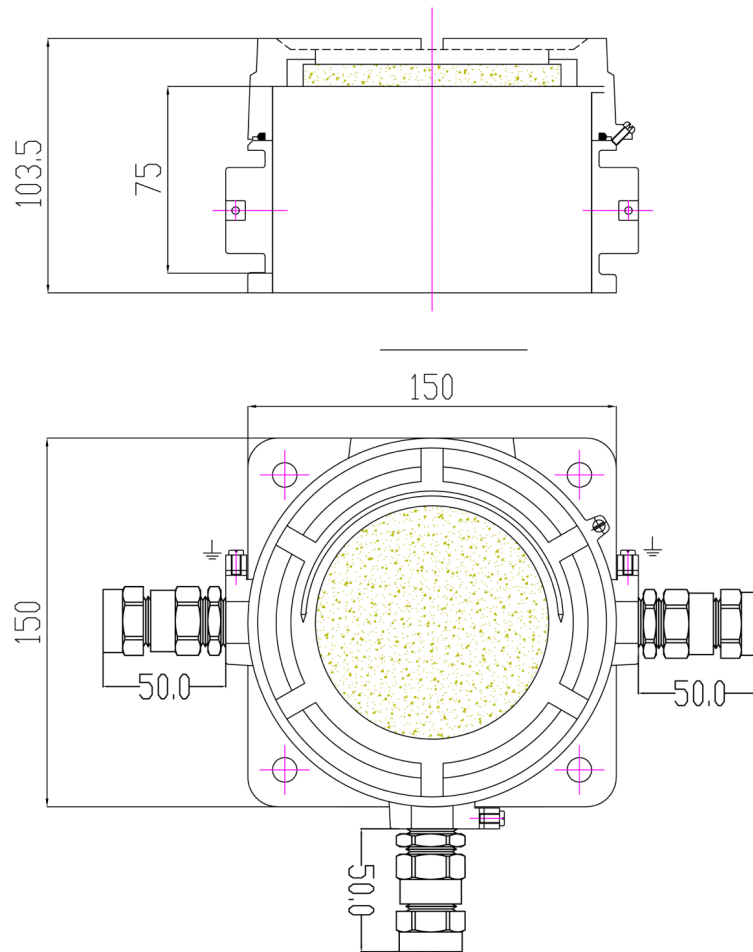
SPECIFICATIONS

- Media: Air, non-combustible and non-aggressive gas
- Max operating pressure: 10kPa
- Mounting position: Vertical
- Operating temperature: -20°C to +85°C
- Contact arrangement: SPDT
- Electrical rating: 1.5A(0.4A)/250V
- Terminal - 6.3mmX0.8 blade
- Connection - ϕ 6.4mm for tube connection
- Enclosure :
 - Material : Di Cast Aluminum Alloy LM6
 - Type of Explosion Protection : EEx-d, IEC60079-1:2007
 - Zone Classification : Suitable for Zone 1 & 2
 - Gas Group : Suitable for Gas group IIA, IIB & IIC, T6
 - Ingress Protection : IP66, IEC60529-1:2001
 - Paint : Epoxy Polyester powder coated
 - Cable Entry : ½" NPT double compression gland

PRESSURE RANGE

Model	Pressure Range	Differential	Tolerances
DPS01EX-2H	20-200(Pa)	10(Pa)	$\leq \pm 15\%$
DPS01EX-3H	30-300(Pa)	10(Pa)	$\leq \pm 15\%$
DPS01EX-4H	40-400(Pa)	20(Pa)	$\leq \pm 15\%$
DPS01EX-5H	50-500(Pa)	20(Pa)	$\leq \pm 15\%$
DPS01EX-1K	200-1000(Pa)	100(Pa)	$\leq \pm 15\%$
DPS01EX-2K	500-2500(Pa)	150(Pa)	$\leq \pm 15\%$
DPS01EX-5K	1000-5000(Pa)	250(Pa)	$\leq \pm 15\%$

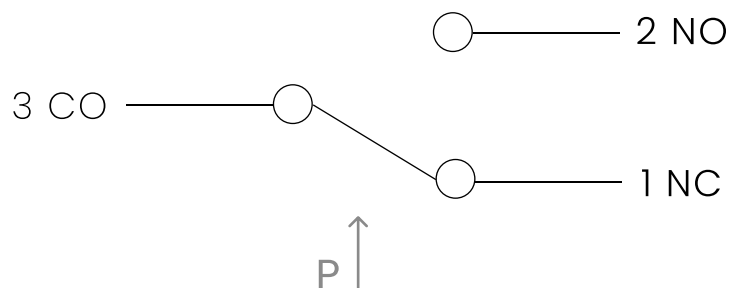
DIMENSIONS



WIRING

Arrangement of contacts

⚠ Switch off power before removing cover



FUTURISTIC TECHNOLOGIES

232, Sunrise Mall, Mansi Circle, Vastrapur, Ahmedabad, Gujarat 380015, INDIA

☎ +91 6355915927

✉ sales@futuristictechnologies.co.in

🌐 www.futuristictechnologies.co.in