



# PT02

## PRESSURE TRANSMITTER



The Futuristic PT02 Series Pressure Transmitters are highly accurate sensors with 1% full-scale accuracy. They are made of corrosion-resistant stainless steel and can measure pressure in water, air, hydraulic systems, and oil.

These transmitters are ideal for OEM applications exposed to mechanical shock, vibration, and electromagnetic interference. They find use in hydraulics, pneumatics, compressor controls, pump protection, and water systems.

### SPECIFICATIONS

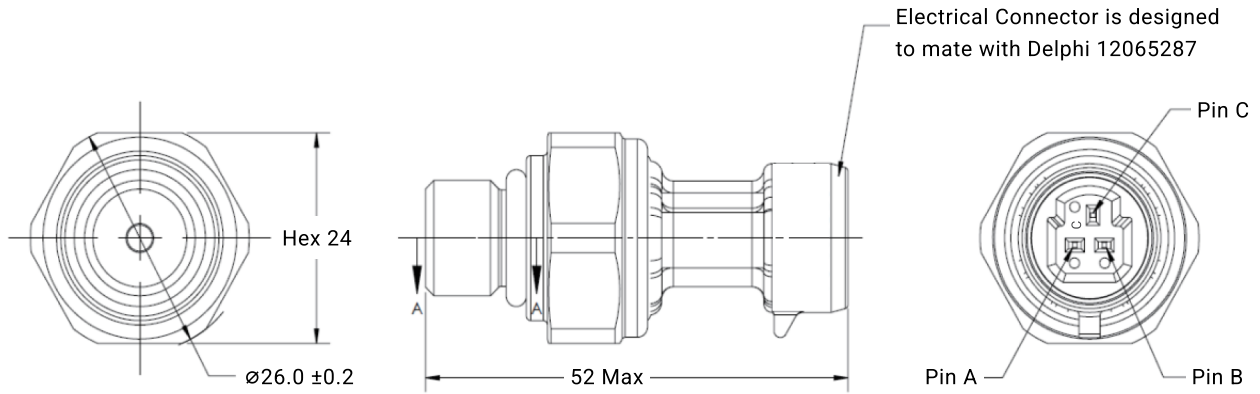
Service	: Compatible for water, air, hydraulic oil
Pressure Measuring Range	: 10, 16, 25 Bar G
Output Signal	: 4-20mA, 2 wire / 0.5-4.5VDC, 3 wire : Response Time: 10ms
Wetted Materials	: Type 304 SS
Temperature Limit	: -20 to 120°C
Power Requirements	: 8-30VDC(for 4-20 mA)
Accuracy	: ±1.0% FS
Current Consumption	: 38mA maximum (for 4-20mA output)
Electrical Connections	: Packard metri-pack
Process Connection	: 1/4" male BSPT
Enclosure Rating	: IP67

## ORDERING CODE

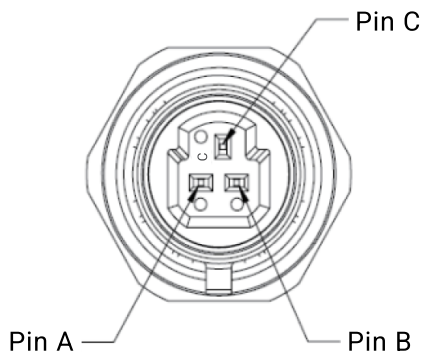
S.No	Pressure Transmitter Series	PT02		
1.	Pressure Code	XXXX	010B	Pressure Range: 0-10 Bar Maximum Pressure: 30 Bar Over Pressure: 50 Bar
			016B	Pressure Range: 0-10 Bar Maximum Pressure: 30 Bar Over Pressure: 50 Bar
			025B	Pressure Range: 0-10 Bar Maximum Pressure: 30 Bar Over Pressure: 50 Bar
2.	Output	X	1	4-20mA, 2 wire
			2	0.5-4.5VDC, 3 wire
3.	Electrical Connection	X	2	Packard Multi-Pack
4.	Process Connection	X	1	¼" BSP M

Example Code : PT02-010B-1-2-1

## DIMENSIONS



## WIRING



### Current Output

- Pin A - Return (Black)
- Pin B - Supply (Red)
- Pin C - Not Connected (Green)

### Ratio-metric Voltage Output

- Pin A - Ground (Black)
- Pin B - Supply (Red)
- Pin C -  $V_{out}$  (Green)



### FUTURISTIC TECHNOLOGIES

232, Sunrise Mall, Mansi Circle, Vastrapur, Ahmedabad, Gujarat 380015, INDIA

+91 6355915927

sales@futuristictechnologies.co.in

www.futuristictechnologies.co.in