

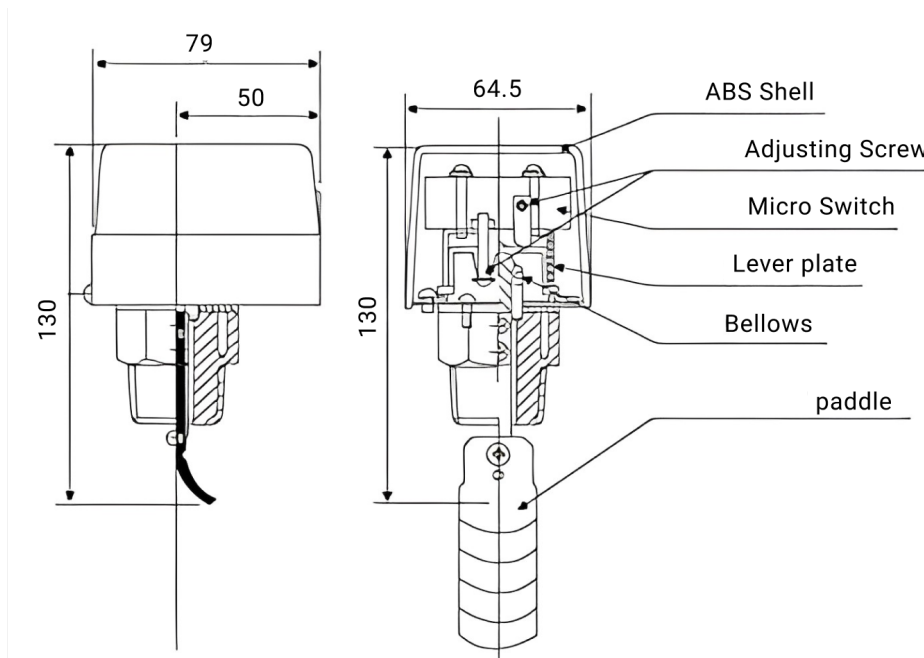


# INSTALLATION GUIDE

## Water Flow Switch WFS02

### Specifications:

- 5 stainless steel paddles to suit pipe diameter up-to 150mm
- Adjustable flow setting
- Flow Temperature: 0-100°C
- Electric Load: AC250V 10A
- The Endurance of Bellows: 5,00,000 cycles
- Max Working Pressure: 10Bar
- Process Connection: 1" NPT M
- Environment Temperature: 0-60°C
- Ingress Protection: IP53



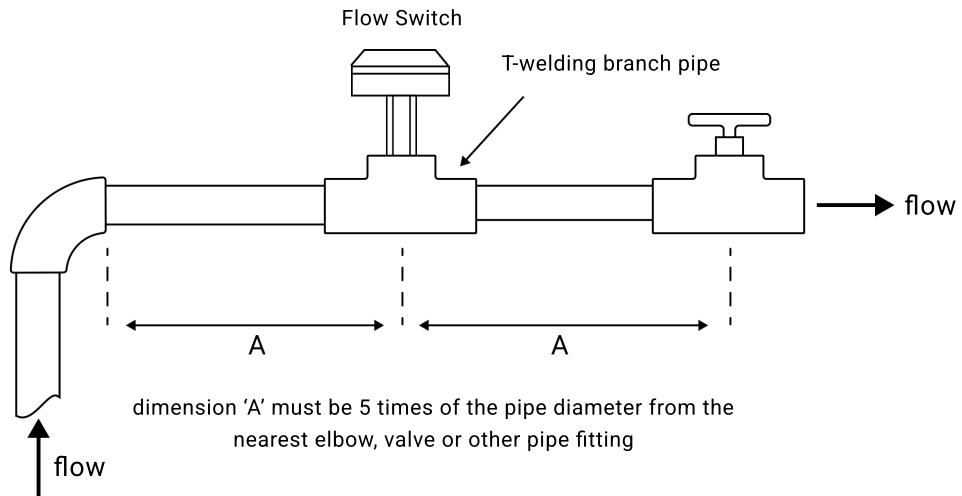
Pipe Diameter (mm)		25	32	40	50	65	80	100	125	150	200	100*	125*	150*	200*
Min. Adjustment (m³/h)	Flow increase (red blue closed)	0.95	1.32	1.70	3.11	4.09	6.24	14.8	28.4	43.2	85.2	8.4	12.9	16.8	46.6
	Flow decrease (red yellow closed)	0.57	0.84	1.14	2.16	2.84	4.32	11.4	22.9	35.9	72.7	6.13	9.31	12.26	38.6
Max. Adjustment (m³/h)	Flow increase (red blue closed)	2.0	3.02	4.36	6.6	7.84	12.0	29.1	55.6	85.2	172.6	13.4	26.8	32.7	94.26
	Flow decrease (red yellow closed)	1.93	2.84	4.09	6.13	7.23	11.4	27.7	53.4	81.8	165.8	17.3	25.21	30.66	90.85

Above flow values are for the reference only



**Installation:**

- The arrow direction in the cover must be as same as the flow direction in the pipe.
- The flow switch is suggested to be installed on horizontal pipes, if it have to be on vertical pipes, then the direction in the pipe must be upward flow. It is not allowed to be installed on the vertical lines with downward flow.
- To avoid the paddle damage, flow reversal is not allowed when the flow switch is working.



**Connection Diagram:**

