



# Flameproof T+RH sensor Series

# TRH01EX02

# Futuristic Technologies



[www.futuristicclimatecontrols.in](http://www.futuristicclimatecontrols.in)



+91-972-381-0294



[sales@futuristicclimatecontrols.in](mailto:sales@futuristicclimatecontrols.in)



**Futuristic flameproof T+RH sensor series TRH01EX02** is designed for measurement of temperature and humidity in Air or any non corrosive gas applications.

It offers  $\pm 2\%$  humidity accuracy and provides Output 4-20mA.

Power supply required is 24VDC



### Specifications

### Parameter

#### Relative Humidity

RH Sensing Technology	Polymer based Capacitive sensor
RH Measurement Range	0% to 100%
RH Accuracy	$\pm 2\%$ @ 25°C for 10 to 90% RH
RH Resolution	0.01%
RH Repeatability	$\pm 0.1\%$ typical
RH Response time	4 Secs (t 63%)
RH Long term drift	<0.2 % RH Per year
RH Output	4-20mA @500 ohms

#### Temperature :

Temp. Range	0 to + 70°C
Temp. Accuracy	0.3°C $\pm$ 1 Count
Temp. Resolution	0.01 °C
Temp. Repeatability	0.04 °C typical
Temp. Response time	2 Secs (t 63%)
Temp. Long term drift	<0.03°C Per year
Temp. Output	4-20mA @500 ohms
Supply Voltage	24VDC
Communication Port	RS485, Modbus Optional
Operating Temperature	-25° to +70°C



### Specifications

### Parameter

Enclosure	Di-Cast Aluminum, Powder Coated
Enclosure Protection	Ex d, II B, T6, IP65
Probe	SS304 , 250mm X 8mm

### Ordering Code :

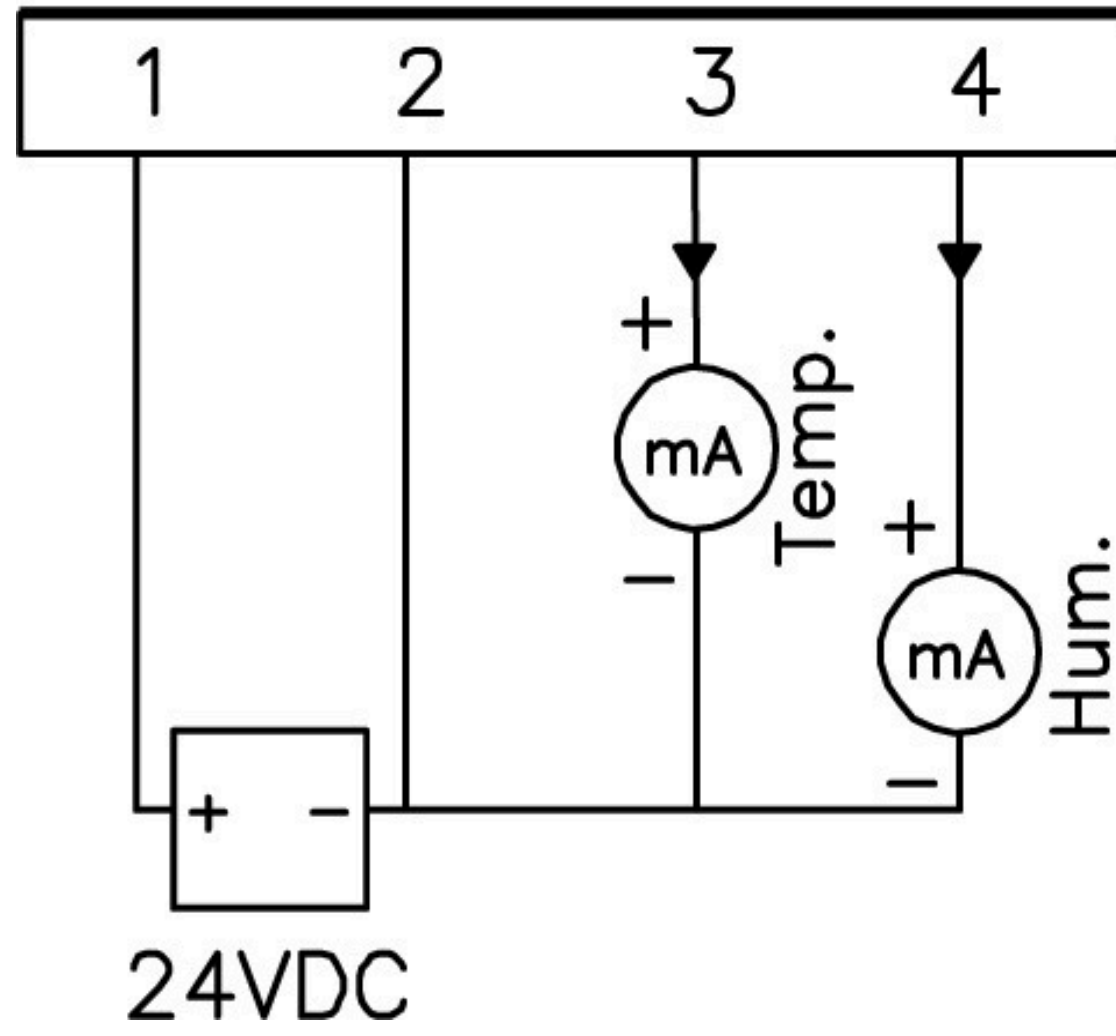
Flameproof T+RH Transmitter Series	TRH01EX02		
Mounting Type	XX	D1	Duct mount with adjustable flange
Transmitter1 / Output1	XX	TA	Temperature / 4-20mA
		TV	Temperature / 0-10DC
		NN	None
Transmitter2/ Output2	XX	RA	RH / 4-20mA
		RV	RH / 0-10VDC
		NN	None
Comm. Port	X	N	None
		1	RS485, Modbus *Note 1
Display	XX	NN	Without display

Note 1 : If Comm. Port is selected, Output1 & Output2 shall be NN

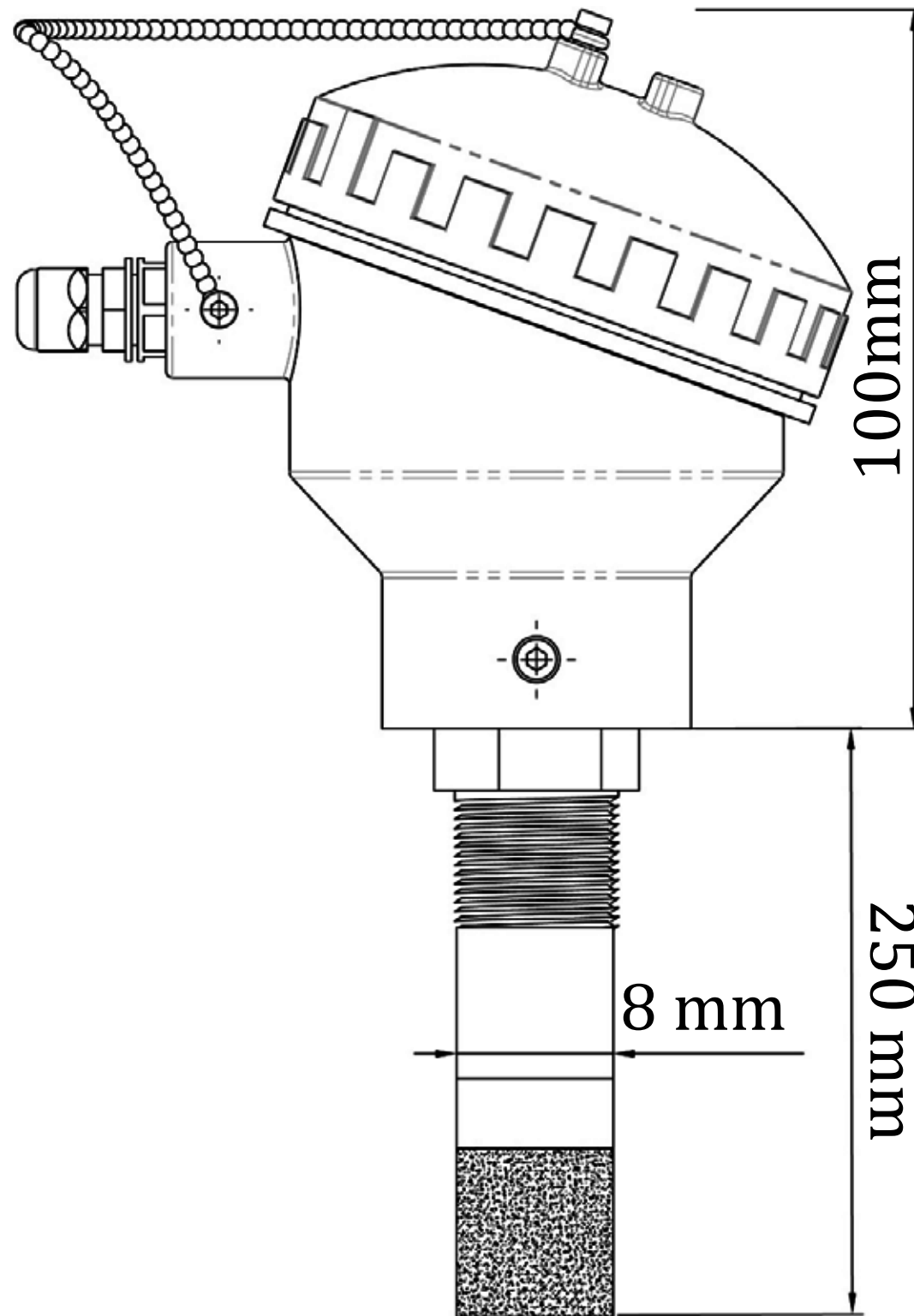


### Electrical wiring diagram

CURRENT (4-20mA)



### Dimensional Drawing



Specifications are subject to change without notice.