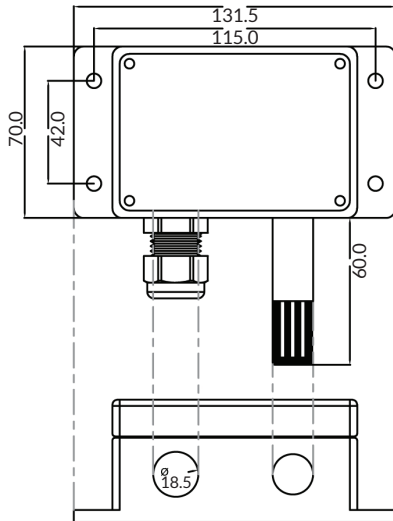


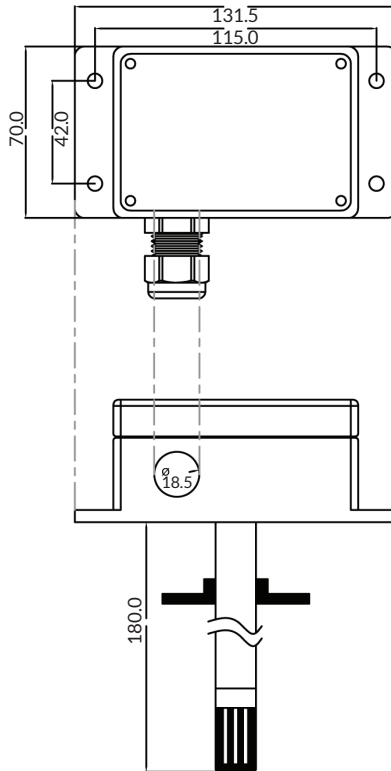
Installation and Operating Instructions for TRH01-WN | TRH01-D1 | TRH01-S1

Dimensions

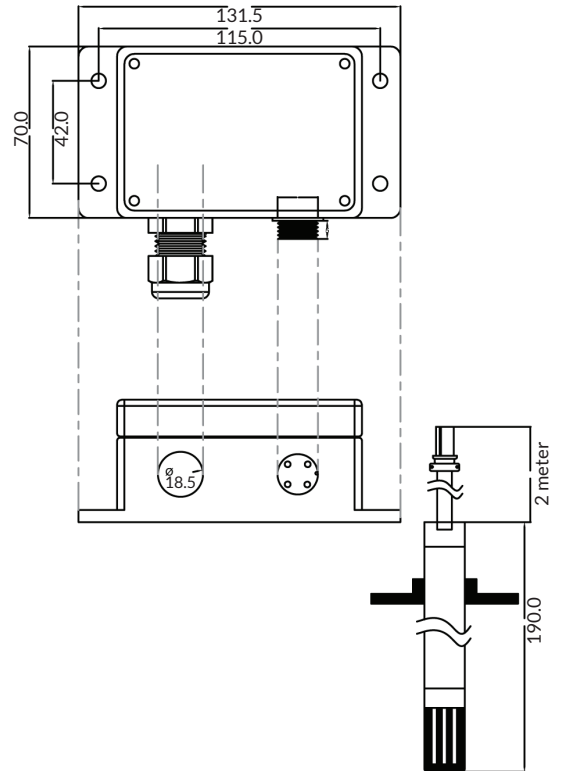
Wall Mount Type
TRH01-WN



Duct Mount Type - Integral Probe
TRH01-D1

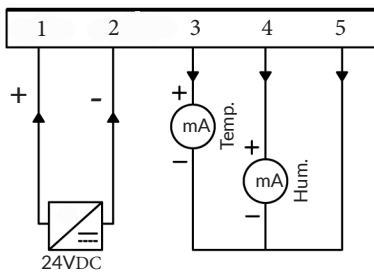


Duct Mount Type - Separate Probe
TRH01-S1

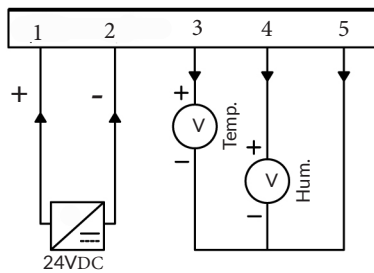


Wiring Diagram

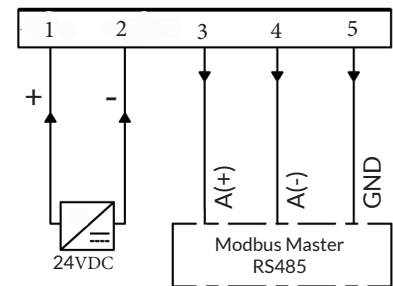
CURRENT(4-20mA)



VOLTAGE(0-10VDC)



MODBUS (RS485)



Before Installation

Read these instructions carefully before installing and commissioning the temperature and humidity transmitter series TRH01. Failure to follow these instructions may result in product damage.

Do not use in an explosive or hazardous environment, with combustible or flammable gases, as a safety or emergency stop device or in any other application where failure of the product could result in personal injury.

Avoid locations where severe shock or vibration, excessive moisture or corrosive fumes are present.

Take electrostatic discharge precautions (e.g., use of wrist straps) during installation. Failure to exercise good ESD practices may cause damage to the sensor.

Disconnect 24VDC power supply before installation to prevent electrical shock or equipment damage.

Installing Duct Mount type transmitter

The transmitter should be mounted away from fans, corners, heating and cooling coils, and other equipment that will effect the measurement of the relative humidity. It should also be mounted in a location that receives adequate air flow for proper operation. The transmitter should be mounted such that the conduit connection points down to prevent moisture from entering.

Select a suitable installation area in the middle of the duct wall. To achieve the best reading, do not place in an area where air stratification may be present. Mount the transmitter at least 1.5 mtr (5 ft) in either direction from elbows, dampers, filters or other duct restrictions.

Drill a 15 to 20 mm diameter hole into the duct at the desired location.

Insert the transmitter probe through the hole such that the mounting flange is flush to the duct.

Use two screws to attach the mounting flange to the duct. Do not over tighten.

Remove top screw cover to access wiring terminals.

Make sure all connections are in accordance with the wiring diagram and in accordance with national and local electrical codes. Use copper conductors only.

Place the cover and secure it with four screws.

Installing Wall Mount type transmitter

The transducer is not mounted in recesses, behind curtains, close to heat and moisture sources, close to air duct outputs, or in direct sunlight.

The transmitter should be mounted in a representative area of the room, on wall about 1.5 mtr [4.9 ft] above the floor.

Mount the transmitter on the wall using screws through the holes.

Remove top screw cover to access wiring terminals.

Make sure all connections are in accordance with the wiring diagram and in accordance with national and local electrical codes. Use copper conductors only.

Place the cover and secure it with four screws.


Warranty / Remedy

Futuristic Technologies Warrants goods of its manufacture as being free of defective materials and faulty workmanship. Futuristic's standard product warranty applies unless agreed to otherwise by Futuristic in writing. Please refer to your order acknowledgement or consult your local sales office for specific warranty details.

If warranted goods are returned to Futuristic during the period of coverage, Futuristic will repair or replace, at its option, without charge those items it finds defective.

The foregoing is buyer's sole remedy and is in lieu of all other warranties, expressed or implied, including those of merchantability and fitness for a particular purpose. In no event shall Futuristic be liable for consequential, special, or indirect damages.



 www.futuristictechnologies.co.in
 sales@futuristictechnologies.co.in
 +91 88490 34989

Futuristic Technologies
232, Sunrise Mall, Mansi Circle,
Vastrapur, Ahmedabad, Gujarat 380015, INDIA